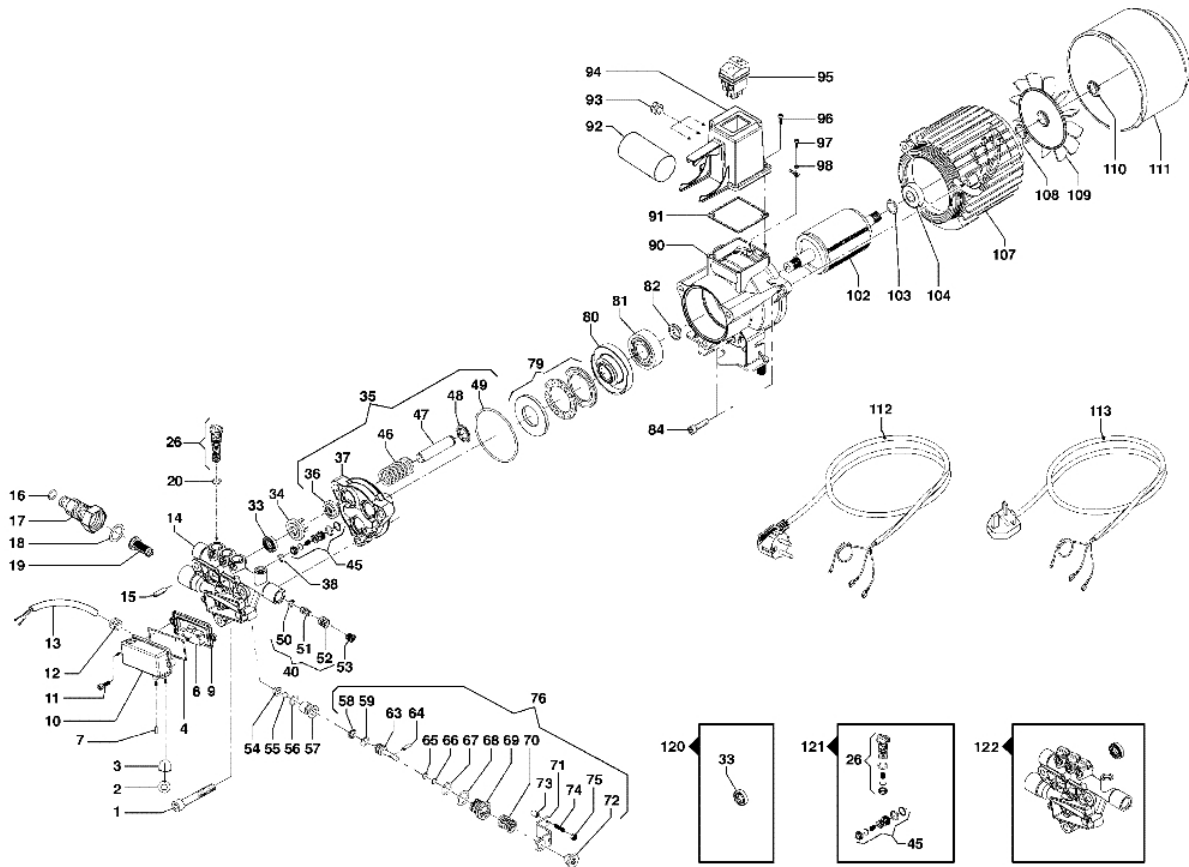
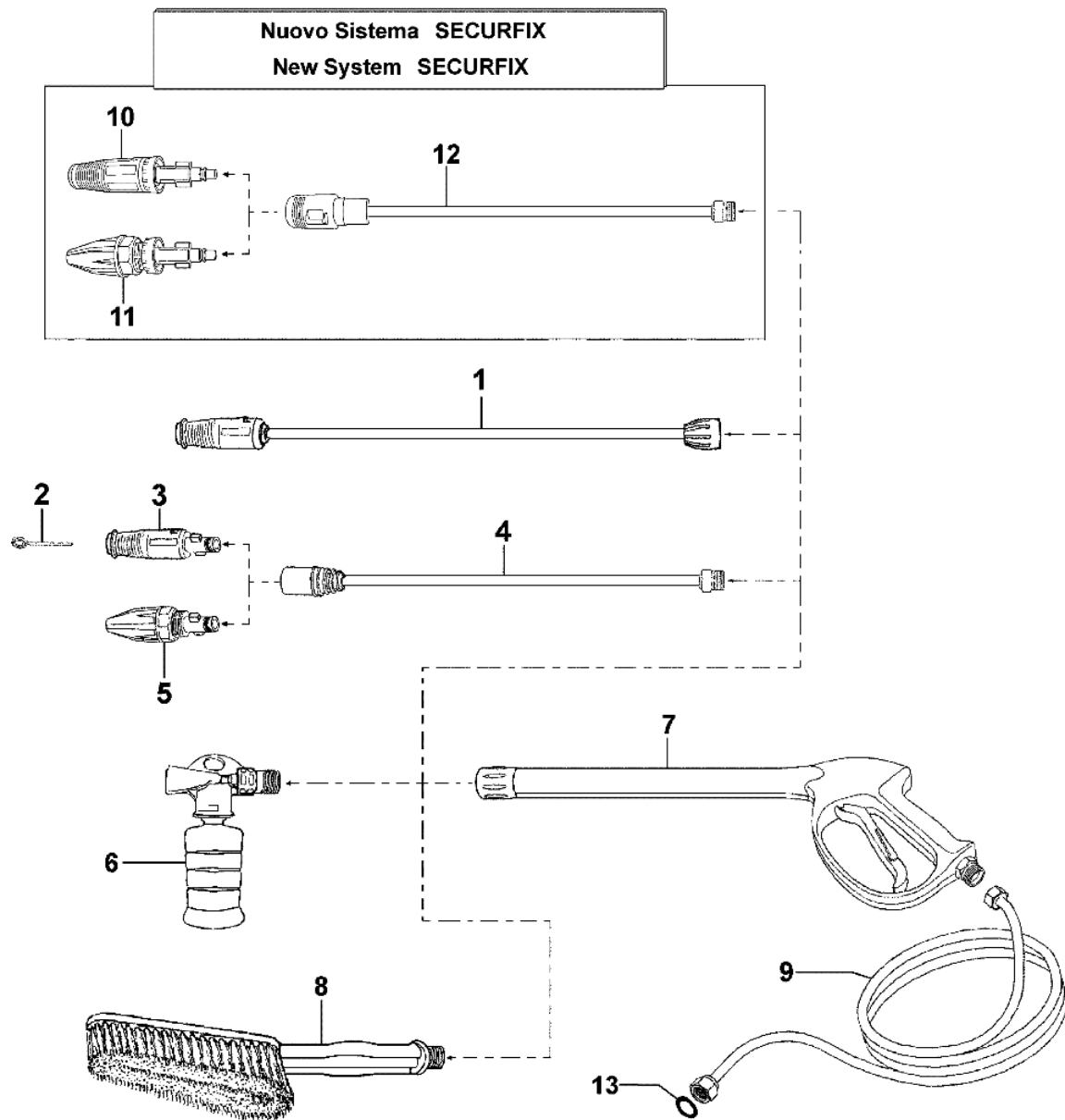


Ref.Nu	Q.ty	Item number	Description	Technical bulletin
1	1	CH04020312	Handle cover	
2	1	CH14110042	Handle	
3	2	CH36050114	Screw	
4	1	CH04770217	Cover left	
5	1	CH06020064	Hose reel kit	
6	1	CH06020060	Hose reel	
7	2	CH36050114	Screw	
8	1	CH04770218	Cover right	
9	7	CH36050114	Screw	
10	2	CH28100086	Wheel	
11	1	CH36050114	Screw	
12	1	CH30020608	Stand	
13	2	CH36050114	Screw	
14	1	CH32060311	Frame	
15	1	CH36250071	Screw	
16	1	CH24000106	Support	
17	1	CH04770226	Cover	
18	1	CH06010331	Spacer	
19	1	CH73040414	Motorpump	



Ref.Nu	O.ty	Item number	Description	Technical bulletin
1	3	CH36090191	Screw	
2	1	CH00090229	Ring	
3	1	CH24160112	Guard	
4	1	CH12100550	O-ring	
6	1	CH18250013	Switch	
7	1	CH30050097	Pin	
9	1	CH04020290	Half case	
10	1	CH04020276	Cover	
11	2	CH36090198	Screw	
12	1	CH24340048	Holder	
13	1	CH04560322	Cable	
14	1	CH32180392	Top cover	
15	3	CH30210032	Pin	
16	1	CH12100057	O-ring	
17	1	CH28030524	Coupling	
18	1	CH12090111	Gasket	
19	1	CH10020132	Air filter	
20	3	CH12100465	O-ring	
26	3	CH12200069	Valve	
33	3	CH12410094	Gasket	
34	3	CH00090318	Ring	
35	1	CH24320026	Pump crankcase	
36	3	CH00190124	Seal ring	
37	1	CH24320025	Pump crankcase	
38	3	CH12100465	O-ring	
40	1	CH50270025	Reed valve kit	
45	3	CH12200068	Valve	
46	3	CH18020213	Spring	
47	3	CH24090127	Piston	
48	3	CH00090317	Ring	
49	1	CH12100620	O-ring	
50	1	CH12100220	O-ring	
51	1	CH36000087	Valve	
52	1	CH18020284	Spring	
53	1	CH32020280	Cap	
54	1	CH30090141	Seat	
55	1	CH30030035	Ball	
56	1	CH12100152	O-ring	
57	1	CH30090158	Seat	
58	1	CH00090112	Ring	
59	1	CH12100041	O-ring	
63	1	CH00150194	Easy start kit	
64	1	CH30210035	Pin	
65	1	CH12100055	O-ring	
66	1	CH00090110	Ring	
67	1	CH12100049	O-ring	
68	1	CH12100390	O-ring	
69	1	CH36050115	Screw	
70	1	CH18020249	Spring	
71	1	CH16000093	Lever	
72	1	CH32020241	Screw	
73	1	CH04320044	Cap	
74	1	CH36220039	Screw	
75	1	CH06040087	Nut	
76	1	CH12150363	Valve	
79	1	CH04360028	Bearing	
80	1	CH00010629	Shaft	
81	1	CH04380091	Bearing	
82	1	CH00190118	Seal ring	
84	3	CH36090114	Screw	
90	1	CH10090201	Flange	
91	1	CH12010175	Gasket	
92	1	CH04340045	Condenser	
93	3	CH24340048	Holder	
94	1	CH30010530	Electrical box	
95	1	CH14100110	Switch	
96	2	CH36250046	Screw	
97	1	CH36250072	Screw	
98	1	CH28070013	Washer	
102	1	CH00010590	Rotor shaft	
103	2	CH12100420	O-ring	
104	1	CH04380090	Bearing	
107	1	CH30410277	Stator kit	
108	1	CH12410070	Ring	
109	1	CH36320083	Motor fan kit	
110	1	CH00090296	Ring	
111	1	CH04660029	Motor fan cover	

112	1	CH04560318	Cable
113	1	CH04560321	Cable uk
120	1	CH50190666	Gasket
121	1	CH50250026	Valve
122	1	CH33000108	Top cover



Ref.Nu	Q.ty	Item number	Description	Technical bulletin
1	1	CH33010720	Bent	
2	1	CH04550013	Needle	
3	1	CH32170177	Nozzle	
4	1	CH33010918	Lance hose kit	
5	1	CH32170178	Nozzle	
6	1	CH33010748	Bent	
7	1	CH24100086	Spray gun kit	
8	1	68500003	Fixed brush	
9	1	CH33010767	Hose	
10	1	CH32170206	Head	
11	1	CH32170203	Head	
12	1	CH33011042	Lance hose kit	
13	1	CH12100218	O-ring	